



Wildlife Rescue Center Squirrel Box Plans

Materials:

1	1"x 8"x 8' piece of untreated , unpainted lumber Cedar (preferred) or Pine
16	2" Deck screws, Phillips or flat head only. Please do not use socket or square heads. Once a box is in use we need to be able to remove the top with a standard hand screwdriver.

Tools:

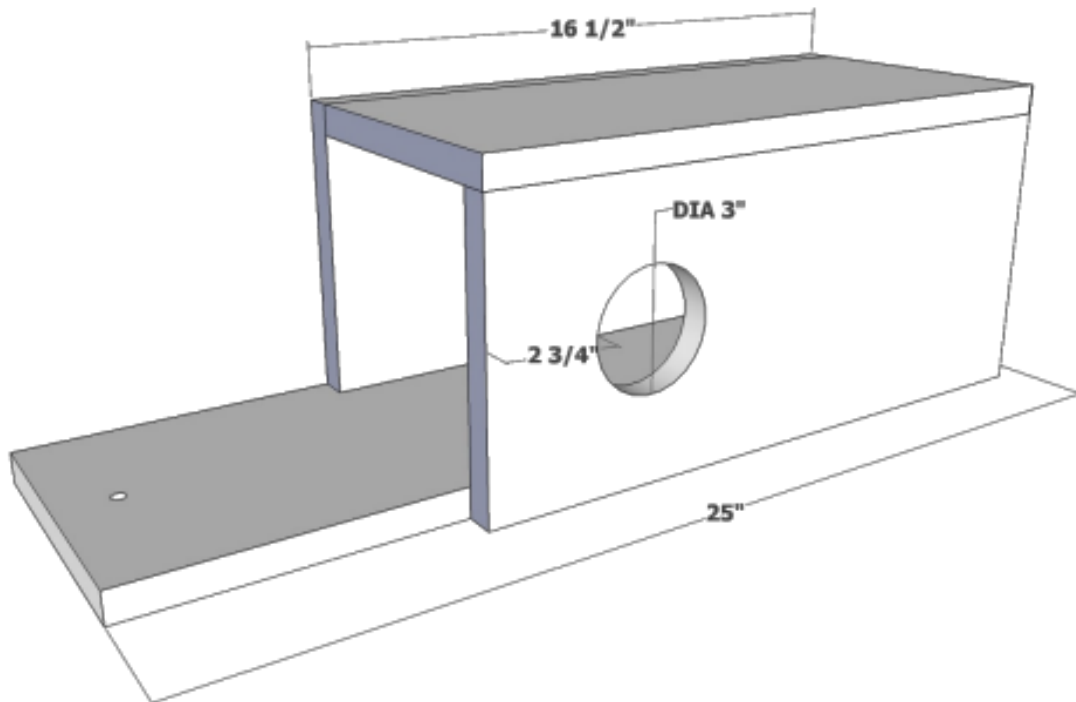
- Bench saw
- Electric drill
- 3" Hole saw with mandrel $\frac{3}{4}$ " or larger drill bit
- Tape measure and pencil

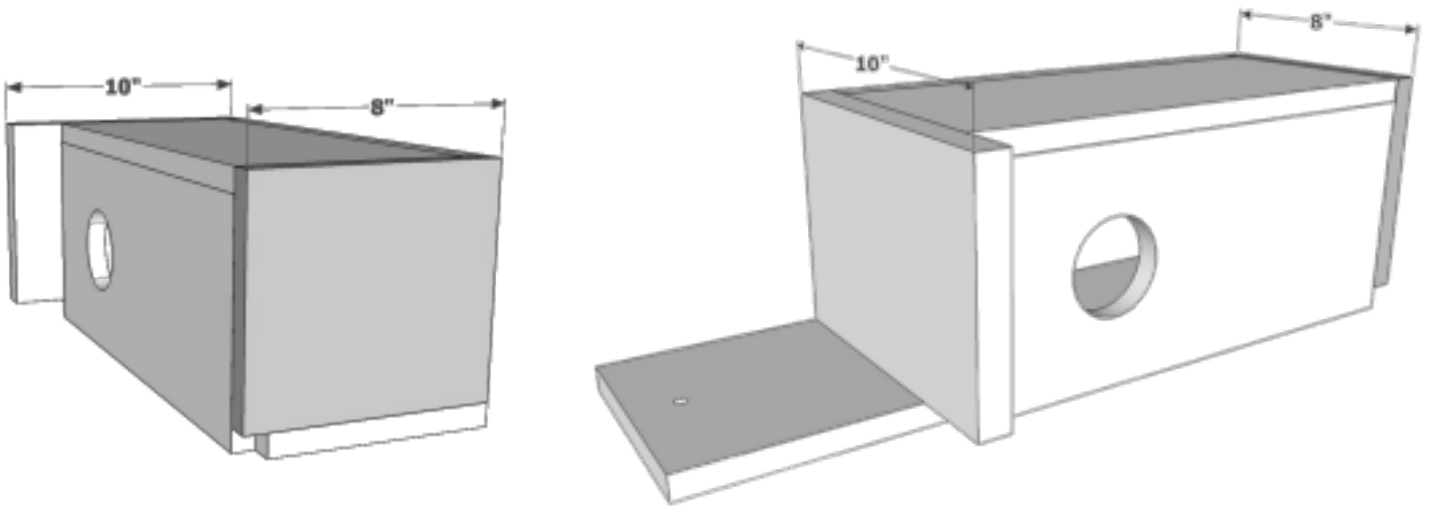
Cut lumber as follows:

1 - 25" piece (back) 3 - 16 1/2" pieces (sides and front) 1 - 8" piece (bottom) 1 - ~10- 12" piece (top)

25"	16 1/2"	16 1/2"	16 1/2"	8"	~10-12"
Back	Side	Side	Side	Floor	Roof

Assemble the box as shown below.





Cut out a 3" door in one of the 16 1/2" pieces, approx. 2 3/4" from the top. This piece may go on either the right or left side of the 25" back. The roof should overhang the door. The remaining 8" piece is the floor.

Please drill a 3/4" or larger hole ~1 1/4" from the top of the long back piece for hanging.

Thanks!

